



# CL1000 (CL1000M: 17" LCD)

## Slideaway™ LCD Console

- The CL1000 is a LCD KVM console that serves as the front-end for standard KVM switches. The CL1000 features an integrated 17" LED-backlit LCD panel, full keyboard, and touchpad in a 1U, rack-mountable, Slideaway™ housing. Users who already have a switch can take advantage of the space saving and efficiency benefits of the CL1000 LCD KVM console without the unnecessary expense of having to purchase a KVM switch

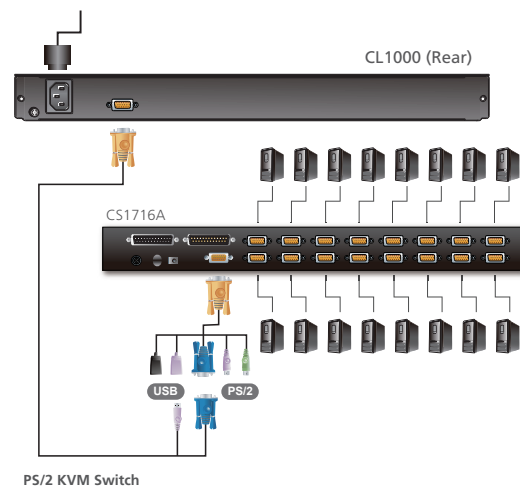


### Features

- Exclusive LED illumination light - designed by ATEN to illuminate the keyboard and touchpad to allow visibility in low-light conditions
- Integrated KVM console with 17" LED-backlit LCD monitor – in a Slideaway™ housing
- LCD module rotates up to 115 degrees for a more comfortable viewing angle
- Slideaway™ housing is less than 1U – with top and bottom clearance for smooth operation in a 1U high system rack
- Compatible with most PS/2 KVM Switches
- Internal power built in
- Adjustable depth to fit within a rack
- High video resolution: Up to 1280 x 1024 @75Hz Supports DDC, DDC2, DDC2B
- DDC emulation – VGA settings of every connected computer are automatically adjusted for optimal output to the LCD monitor
- Keyboard Language support: English (US), English (UK), French, German, German (Swiss), Hungarian, Italian, Japanese, Korean, Russian, Spanish, Swedish, and Traditional Chinese
- Improved design – single person installation (optional)

Rack Mount Kit	Depth (cm)
Long(Optional)	68 - 100
Short (Standard)	42 - 72

Easy Installation Rack Mount Kit	Depth (cm)
Long(Optional)	68 - 105
Short(Optional)	42 - 70



### Specification

Function		CL1000
Connectors	KVM Ports	Keyboard / Video / Mouse 1 x SPD Female (Yellow)
	Power	1 x 3-prong AC Socket
Switches	LCD Adjustment	4 x Pushbutton
	Reset	1 x Semi-recessed Pushbutton
	Power	1 x Rocker
LEDs	Power	1 (Dark Green)
	Num Lock	1 (Green)
	Caps Lock	1 (Green)
	Scroll Lock	1 (Green)
Emulation	Keyboard / Mouse	PS/2
Video	17" LCD	1280 x 1024; DDC2B
I/P Rating		100 - 240 VAC; 50/60 Hz; 1A
Power Consumption	17" LCD	120W, 14W / 230V, 16W
	Operating Temp.	0-40°C
Environment	Storage Temp.	-20-60°C
	Humidity	0-80% RH, Non-condensing
	Housing	Metal+Plastic
Physical Properties	Weight	12.30 kg
	Dimensions ( D x W x H )	53.83 x 48.00 x 4.40 cm

\* The specifications and pictures are subject to change without notice.

#### ATEN International Co., Ltd.

3F, No.125, Sec. 2, Datong Rd., Sijhih District., New Taipei City 221, Taiwan  
 Phone: 886-2-8692-6789 Fax: 886-2-8692-6767  
 www.aten.com E-mail: marketing@aten.com

Printed 01/2015 V6.0



© Copyright 2015 ATEN® International Co., Ltd.  
 ATEN and the ATEN logo are trademarks of ATEN International Co., Ltd.  
 All rights reserved. All other trademarks are the property of their respective owners.