

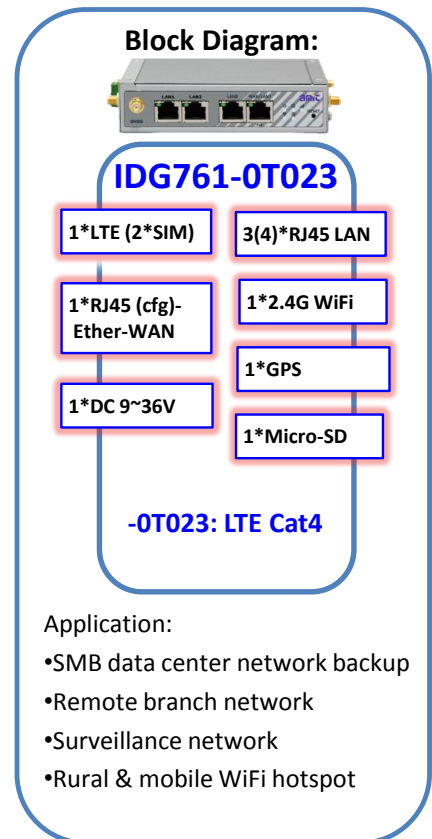


M2M 4G - IDG Series IDG761-0T023 4G M2M Gateway

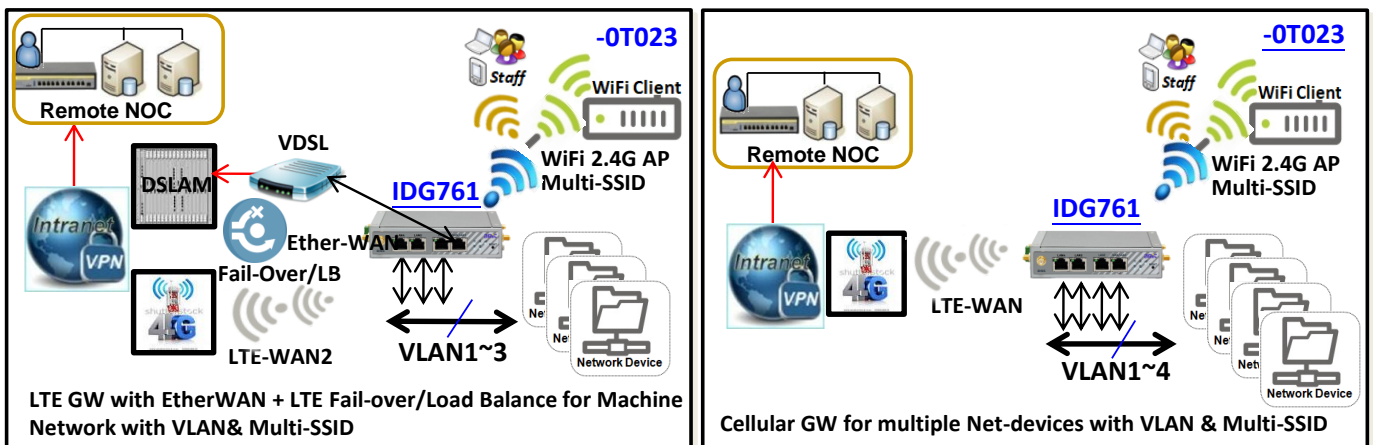
Functions:

- Expanding LTE based WAN connection for various IP networks at instant, including enterprise , industry, surveillance , WiFi hotspot network.
- To be primarily or backup WAN for IP network enhances connection. It can expand fail-over for network at single WAN between LTE and Ether-WAN. There are dual SIMs for single LTE to achieve ISP fail-over when primarily fail.
- Compact and easy to be integrated into solution. High speed device covers LTE Cat4 and four port FE LAN. Micro-SD used for log storage.
- Capable of rich VPN tunnel technology and high throughput up to 20Mbps can build VPN tunnel between IP network/network device with remote center or allow clients to connect in for secure data transmission.
- Cellular toolkit simplifies setting and utilizes ISP service. Data usage monitoring for budget control. Self-defined SMS commands for easy and quick management.
- Both IPv4/IPv6 protocol stack meet ISP requirement. Gateway base on IP pass through or DHCP based NAT with Port Forwarding. Rich Routing function covers static, dynamic and OSPF compatible with most IP network.
- Web-UI for basic setting. CLI and Command Script for advance setting. TR-069 used with AMIT-NMS for multi-site management. SNMP used for popular network tools management.

Block Diagram:



Connection Diagram:



Specification Summary

Device Interface

- **LTE Module:** 1*LTE-Cat.4, 2*SIM
- **Ethernet:** (1+3)*RJ45 FE
- **WiFi:** 1*2x2 2,4G 802.11 b/g/n
- **Log Storage:** 1*Micro SD
- **Power Input:** DC 9V ~ 36V (Terminal block)
- **Antenna Con.:** 2*SMA (F)-LTE, 2* SMA(M)-WiFi, 1 x SMA connector for external GPS antenna

WAN & Uplink

- **WAN:** 1*Cellular & Config, Ether-WAN; Failover
- **Cellular:** 2G/3G/LTE, IP Pass-through, IPv4/6
- **Ether-WAN:** Dynamic IP, Static IP, PPPoE, PPTP, L2TP
- **Network Monitor:** ICMP/DNS Query

WiFi

- **Standard:** 802.11 Industry Compliance
- **Mode:** AP Router, WDS, WDS Hybrid Modes
- **Functions:** Multi-SSID, WMM
- **Security:** WEP, WPA, WPA2, WPA-PSK, WPA2-PSK, 802.1x
- **Captive Portal:** External Web Portal

Protocol

- **LAN & VLAN:** DHCP Server/Relay, Port/Tag based VLAN
- **IPv6:** Dual Stack, Static IPv6, DHCPv6, PPPoEv6
- **Port Forward:** NAT 1-1, 1-many, DMZ, Virtual Server & Computer, VPN Pass-through
- **Routing*:** Static, Dynamic - RIP1/RIP2, OSPF, BGP

Object

- **Scheduling:** Time Schedule List
- **Grouping:** Host Grouping List
- **Ext. Server:** Email, Syslog, RADIUS, SCEP, FTP, DDNS, IGMP
- **Certificate:** My Certificate, Trusted Certificate, Issue Certificate

Security

- **VPN Tunneling:** IPSec, OpenVPN, PPTP, L2TP, GRE
- **Scenario:** Site/Host, Client
- **VPN Capability:** DMVPN, Full Tunnel
- **Firewall*:** SPI Firewall with Stealth Mode, IPS
- **Access Control*:** Packet Filter, URL Blocking, MAC Filter

Administration

- **Configuration:** Web UI, CLI, Command Script
- **Management:** SNMPv3 Std. & AMIT MIB, TR-069
- **System:** Upgrade, Backup & Restore, Reboot & Reset, SysLog
- **Diagnostic:** Packet Analyzer, Diagnostic Tools

Service

- **Cellular Toolkit:** Data Usage, SMS, SIM PIN, USSD, Network Scan
- **Event Handling:** Manage/Notify Events action or trigger by SMS, SNMP Trap, Email Alert, SysLog
- **Network Service:** Dynamic DNS, Time Sync
- **Scheduling:** System Reboot, Function On / Off

Environment

- **OP/Store Temp.:** -30°C ~ 70°C; -40°C ~ 85°C
- **Humidity:** 10%~95% (non-condensing)
- **Enclosure:** Metal, Bracket
- **Dimension:** 131x99x31mm (w/o mounting kit), 167x99x39mm (with mounting kit)

Certificate - CE

- Standards & Regulation
- EMI: EN 55032: 2015 +AC: 2016 Class B
- EMS: EN 55024, IEC 61000-4, IEC 61000-6
- Radio: EN 301 489, EN 300 328, EN50385
- Safety: EN 62368-1

Package Accessory

- 1*Device
- 2*Cellular Antenna (3dBi), 2*WiFi Antenna
- 1*Power Adapter DC 12V/1A
- 1*2 Pins Terminal Block
- 1*DIN Rail Kit, 1*Screw Bag
- 1*RJ45 Cable
- 4*Rubber feet, 1*CD (User Manual)

SKU Information:

IDG761-0T023-00-yy : LTE Cat.4

'yy': Area Variant. As below table

| yy | SKU | Band | Module Certi. | System Cert. | GNSS |
|----|-----------|----------------|-----------------|--------------|------|
| E0 | EU | B1/3/7/8/20 | CE,GCF | CE | GPS |
| R0 | Russia | B3/7/20 | - | EACV | GPS |
| U0 | US | B2/4 | PTCRB, AT&T | TBD | GPS |
| J0 | Japan | B1/9/18/19/21 | Telec, NTT,KDDI | Telec | GPS |
| J1 | Japan | B1/8/41 | Telec, Softbank | TBD | GPS |
| T0 | Taiwan | B3/7/8/28 | NCC | TBD | GPS |
| C0 | China | B3/8/39/40/41 | | TBD | GPS |
| A0 | Australia | B1/3/5/7/28/40 | RCM, | TBD | GPS |

Comment

- Specifications are subject to change without prior notice..
- Besides CE, region Certification need to check for availability.

Mechanic Drawing

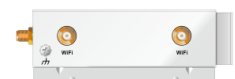
• Front View



• Left View



• Right View



AMIT Wireless Inc.

TEL: +886 (0)6 505 8026 FAX: +886 (0)6 505 8068

Web: <http://www.amit.com.tw> Email: sales@amit.com.tw

No. 28, Lane 31, Huandong Rd., Sec. 1, Xinshi Dist., Tainan City 74146, Taiwan (R.O.C.)